

EQUP. TYPE R390A/URR EXP. NO.

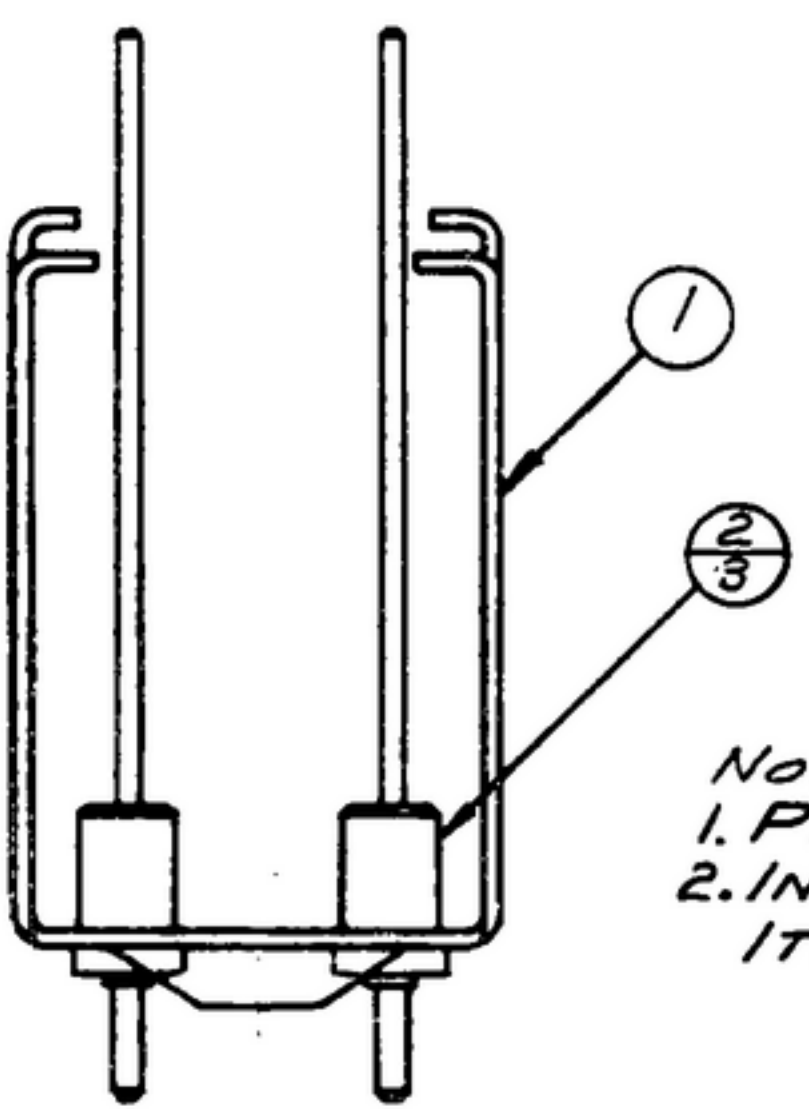
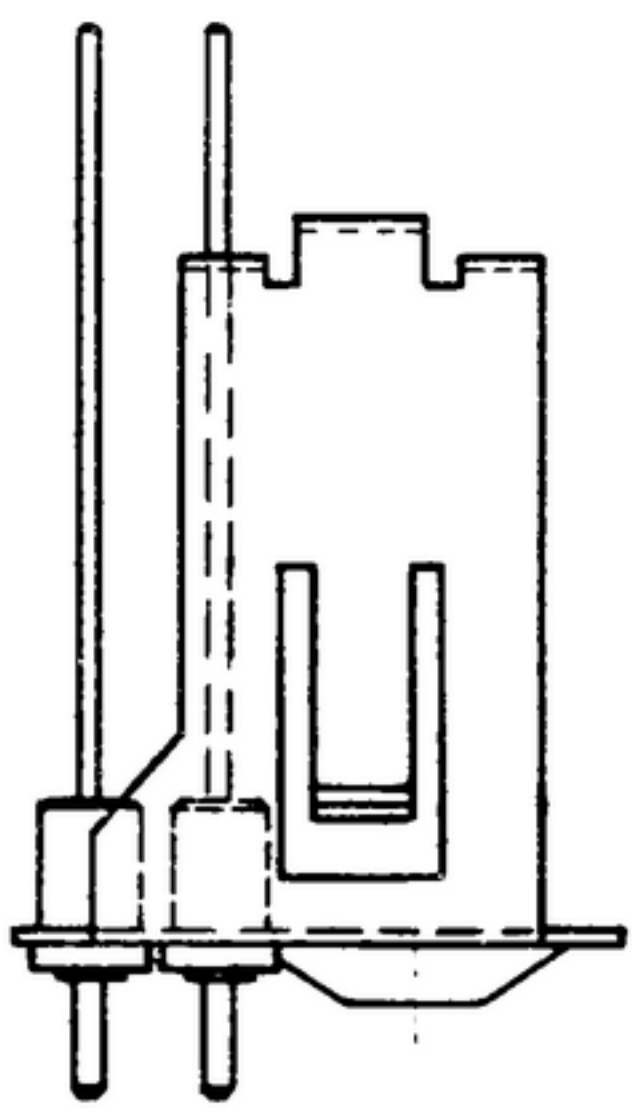
COL. 540-7867002

NOTICE: WHEN GOVERNMENT DRAWINGS, SPECIFICATIONS, OR OTHER DATA ARE USED FOR ANY PURPOSE OTHER THAN IN CONNECTION WITH A GOVERNMENTALLY RELATED GOVERNMENT PROCUREMENT OPERATION, THE UNITED STATES GOVERNMENT THEREBY MAKES NO REPRESENTATION NOR ANY WARRANTY WHATSOEVER AND THE FACT THAT THE GOVERNMENT MAY HAVE FORMULATED, FURNISHED, OR IN ANY WAY SUPPLIED THE SAID DRAWINGS, SPECIFICATIONS, OR OTHER DATA IS NOT TO BE REGARDED BY IMPLICATION OR OTHERWISE AS IN ANY MANNER ENDORSING THE HOLDER OR ANY OTHER PERSON OR CORPORATION, OR CONFERRING ANY RIGHTS OR PRIVILEGES TO REPRODUCE, USE, OR SELL ANY PATENTED INVENTION THAT MAY IN ANY WAY BE RELATED THERETO.

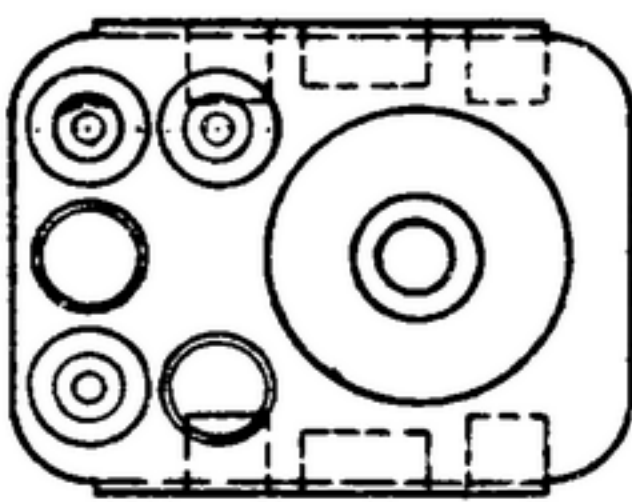
THIS DOCUMENT HAS BEEN PURCHASED BY THE GOVERNMENT AND MAY BE REPRODUCED AND USED IN CONNECTION WITH ANY GOVERNMENT PROCUREMENT OR MAINTENANCE OPERATION.

* FOR INFORMATION ONLY. CONTRACTOR MAY AT HIS OPTION DEVIATE FROM THESE PROCESS DETAILS.

REVISIONS			
SYM	DESCRIPTION	DATE	APPROVAL



NOTES:
 1. PRESS TERMINALS (2) INTO FRAME (1) AS SHOWN.
 2. IN ALL SPLIT BALLOONS, TOP FIGURE IS MATERIAL LIST ITEM INDICATOR & BOTTOM FIGURE IS QUANTITY.



COLLINS PART NO.	ITEM	QTY	PART NO.	DESCRIPTION	MATL	MATL SPEC
559 0224 002	2	3	SM-B-249270	TERMINAL-INSL.		
558 0447 003	1	1	SM-C-249076	FRAME-COIL		

LIST OF MATERIAL COLLINS PART NO. 558-0413-002

COLLINS NO.	QTY	NEXT ASSY	USED ON
558 0443 004	1	SM-D-249092	
558 0444 004	1	SM-D-249093	
558 0445 004	1	SM-D-249094	
558 0446 004	1	SM-D-249095	
558 0447 004	1	SM-D-249096	
558 0448 004	1	SM-D-249097	SC-DL-248775

DRAWN ECS CHECKED Williams APPROVED

UNLESS OTHERWISE SPECIFIED:
 DECIMAL DIMENSIONS INCLUDING HOLE SIZES MAY VARY ±.008
 FRACTIONAL DIMENSIONS INCLUDING HOLE SIZES MAY VARY ±1/64
 MACHINED ANGLES MAY VARY ±.1°
 SHEARED ANGLES MAY VARY ±.25°
 BROKEN ANGLES MAY VARY ±.1°
 ECCENTRICITY BETWEEN ANY DIAMETERS ON THE SAME CENTERLINE SHALL NOT EXCEED .010 TOTAL INDICATOR READING.
 ALL DIMENSIONS ARE FINISH DIMENSIONS INCLUDING APPLIED FINISH AND ARE GIVEN IN INCHES.

COLLINS-RADIO-80-
 -ORDER-84188-1000
14214 - PH
51-93

SIGNAL CORPS
 REVIEWED PME
 APPROVED HLV
PME
 DATE 19 Dec 55 SCALE 2/1

FRAME ASSY-COIL

DEPARTMENT OF THE ARMY
 SIGNAL CORPS ENGINEERING
 LABORATORIES
 FORT MONMOUTH NEW JERSEY
SM-B-249062